



Oil & Gas - Cable Solutions

Pipelines & LNG - Onshore

Instrumentation Cables

EN 50288-7

Cu/XLPE/IS or OS or IS+OS/PVC or LSZH
Cu/XLPE/IS or OS or IS+OS/PVC or LSZH/SWA/PVC or LSZH
300 V and 500 V

Instrumentation cables. Multi-core (pairs, triads - twisted). Screened. Armoured/ Unarmoured. Flame retardant. Design option with insect repellent/rodent protection; Arctic Grade design option: all available on demand.

APPLICATION

Instrumentation cables are used to transmit digital or analogue signals for measurement or process control applications in fixed installation on onshore platforms. Prysmian offers a wide range of instrumentation cables with diverse design options depending on the reference standards and customer requirements. On demand Prysmian can offer also instrumentation thermocouples cables

STANDARDS & APPROVALS

- EN 50288-7** Design guidelines
- EN 50290-2 Series** Insulation and sheathing materials
- IEC 60332-1-2** Flame retardant
- IEC 60332-3-24 or 22** Fire retardant

on request

- IEC-60754-1 / ...-2** Halogen free properties
- IEC-61034-1 / 2** Smoke emission properties

on request

CSA 22.2 n. 38/95 or IEC 60811

DESIGN & CONSTRUCTION

1 CONDUCTOR

Cu

Annealed copper wires according to cl. 2
Solid cl. 1 conductors (U) or Flexible cl. 5 conductors (F) available on demand
Tinned copper conductors (available on demand) from 0,5 to 2,5 mm² up to 50 pairs, up to 24 triples

2 INSULATION

XLPE

PE/PVC/HFFR available on demand

3 SCREEN

IS/OS/IS+OS

Individual (IS)/Overall (OS)/
Individual+Overall (IS+OS)
Aluminium/polyester tape in electrical contact with tinned annealed drain wire

4 INNER COVERING

(only armoured versions)

PVC or LSZH

ARMOURING

(only armoured versions)

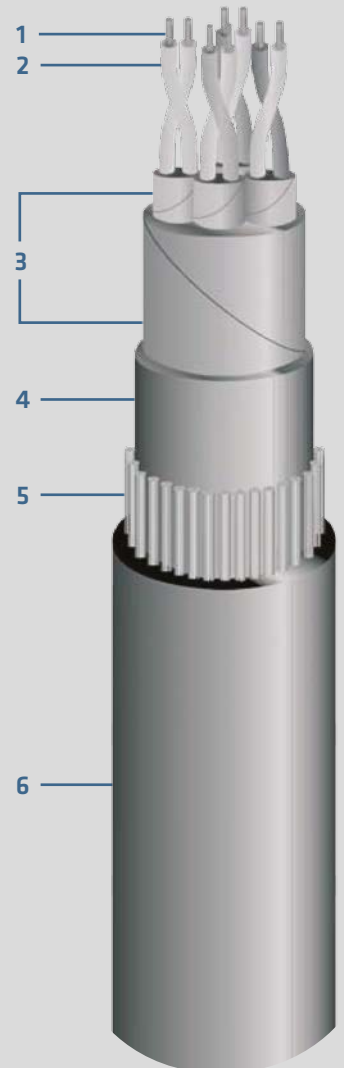
SWA

Galvanized steel wire (SWA)
Galvanized steel braid (GSWB) or double steel tape (DSTA) available on demand

OUTER SHEATH

6 **PVC or LSZH**

Hydrocarbon resistant option available on demand



P/L Instr EN - 09/2017

CONTACT INFO:
prysmianoilandgas@prysmiangroup.com
www.prysmiangroup.com/contact-us

Prysmian
Group



Oil & Gas - Cable Solutions

Pipelines & LNG - Onshore

Instrumentation Cables

EN 50288-7

PERFORMANCES/RATINGS

FIRE
BEHAVIOUR



IEC 60332-1-2
IEC 60332-3-22 or IEC 60332-3-24

CHEMICAL
RESISTANCE



EXCELLENT

IMPACTS



GOOD
EXCELLENT (armoured only)

SMOKE DENSITY,
CORROSIVITY
AND TOXICITY



LOW EMISSION
(only LSZH version)

MIN.
INSTALLATION
TEMPERATURE



-5 °C (PVC)
-15 °C (LSZH)
(-40°C for Arctic Grade)

MAX
INSTALLATION
TEMPERATURE



+90 °C (XLPE)
+70 °C (PE/PVC/HFFR)

SHORT
CIRCUIT
TEMPERATURE



+250 °C (XLPE)
+160 °C (PE/PVC)

QUALITY & TESTING

Prysmian has a built-in multi-step quality assurance program, covering the production process from cable design and raw material purchases to final inspection and testing documentation.

The ISO 9001 quality system of Prysmian Group (together with ISO 14001 and OHSAS 18001) has been assessed, approved and is currently audited by SGS.

This product information sheet is provided for reference only.

Please consult the factory or your representative to confirm all engineering information or refer to the related catalogues available in the local countries website.

CONTACT INFO:
prysmianoilandgas@prysmiangroup.com
www.prysmiangroup.com/contact-us

Prysmian
Group