

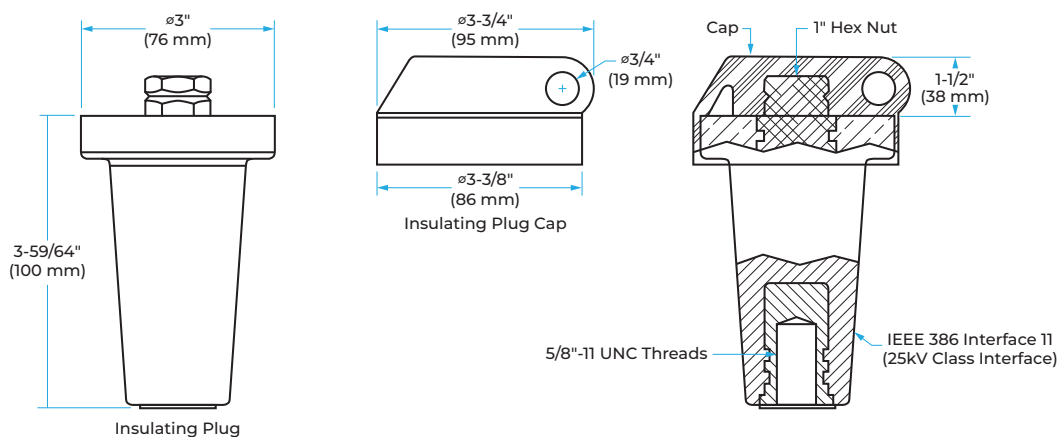
# Deadbreak Basic Insulating Plugs

## DESCRIPTION

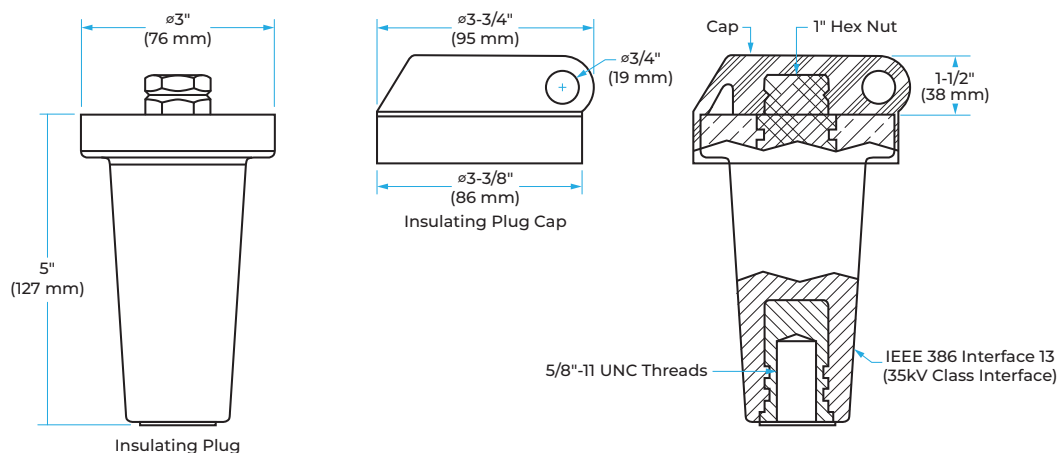
The Deadbreak Insulating Plug provides a means for insulating a Deadbreak Elbow or Bushing Extender. The Insulating Plug has an internal threaded contact that engages a threaded stud. The Deadbreak Insulating Plug is available with an Aluminum (600A) or Copper contact (900A). Each Insulating Plug has a molded-in hex nut used for installation. The hex nut also doubles as a capacitive test point. Included with every Insulating Plug is a low-profile EPDM rubber cap that is installed onto the molded-in hex nut. The cap features an eyelet for installation and removal and reduces stack height, which is important in environments where space is limited.

## BASIC DIMENSIONS

### 625BIP & 925BIP, 15/25kV Class Basic Insulating Plugs:



### 635BIP & 935BIP, 35kV Class Basic Insulating Plugs:



## FEATURES

- Injection Molded Epoxy Composition
- EPDM Rubber Cap Included
- Meets the requirements of IEEE 386
- Meets the requirements of ANSI C119.4
- Meets the requirements of IEEE 592





**Prysmian**




4 Tesseneer Drive, Highland Heights, KY 41076  
na.prysmian.com

# Deadbreak Basic Insulating Plugs



## PRODUCT OFFERING

15/25kV Connecting Plugs per IEEE 386 Interface 11			
Catalog ID*	Material	Continuous Current Rating	Short Time Current Rating
625BIP	Aluminum	600A	25kA, 10 cycles and 10kA, 3 sec.
925BIP	Copper	900A	40kA, 10 cycles and 10kA, 3 sec.
Voltage Ratings			
Maximum Voltage Rating – Phase to Ground			16.2kV
Corona Voltage Level – Partial Discharge Extinction Voltage			30kV 
AC Withstand – 1 minute			57kV 
Impulse Withstand Voltage – BIL			125kV

35kV Connecting Plugs per IEEE 386 Interface 13			
Catalog ID*	Material	Continuous Current Rating	Short Time Current Rating
635BIP	Aluminum	600A	25kA, 10 cycles and 10kA, 3 sec.
935BIP	Copper	900A	40kA, 10 cycles and 10kA, 3 sec.
Voltage Ratings			
Maximum Voltage Rating – Phase to Ground			21.1kV
Corona Voltage Level – Partial Discharge Extinction Voltage			35kV 
AC Withstand – 1 minute			81kV 
Impulse Withstand Voltage – BIL			200kV 

\*To order with a loose threaded stud, add "-LS" to the catalog ID. Example: 625BIP-LS

 Exceeds IEEE 386 requirement

